

GEAR & FEED FRAME ASSEMBLY

Part No.	Description
13-B	Feed Eccentric 13 14-B-FC
14	Feed Connection <i>FITTED</i>
15	Feed Lever Only
15-FC	Feed Lever Fitted Complete
17	Feed Gear (Small)
106-B	Disc Shaft
109	Stitch Regulating Stud
110	Stitch Regulating Stud Nut
111	Stitch Regulating Block
112	Stitch Indicator
123	Feed Lever Washer
132	Feed Disc Shaft Spring
202	Set Screws
209	Feed Lever Screw
211	Feed Dog Driving Screw
228	Stitch Stud Nut
234	Feed Eccentric Pin
416	Feed Gear Only
416-FC	Right Side Feed Gear Complete
417	Feed Gear Shaft
418	Feed Gear Shaft Washer
419	Feed Gear Ring – Left and Right Side of Gear.
420	Feed Gear Cam
421	Feed Gear Roller
423	Feed Gear Roller Pin
424	Feed Gear Roller Spring
425	Feed Gear Plate
426	Feed Gear Plate Screws
427	Feed Gear Cam Set Screws
433	Feed Retaining Drum Plate Shoulder Screw
628	Feed Retaining Drum
629	Feed Retaining Drum Cam
630	Feed Retaining Drum Plate
630-FC	Left Side Feed Retaining Drum Complete

Right Side Feed Gear uses same numbers on screws,
roller springs, pins and cams

“FC” after Part Number Denotes “COMPLETE”

Special Gauges for Special Work are Available

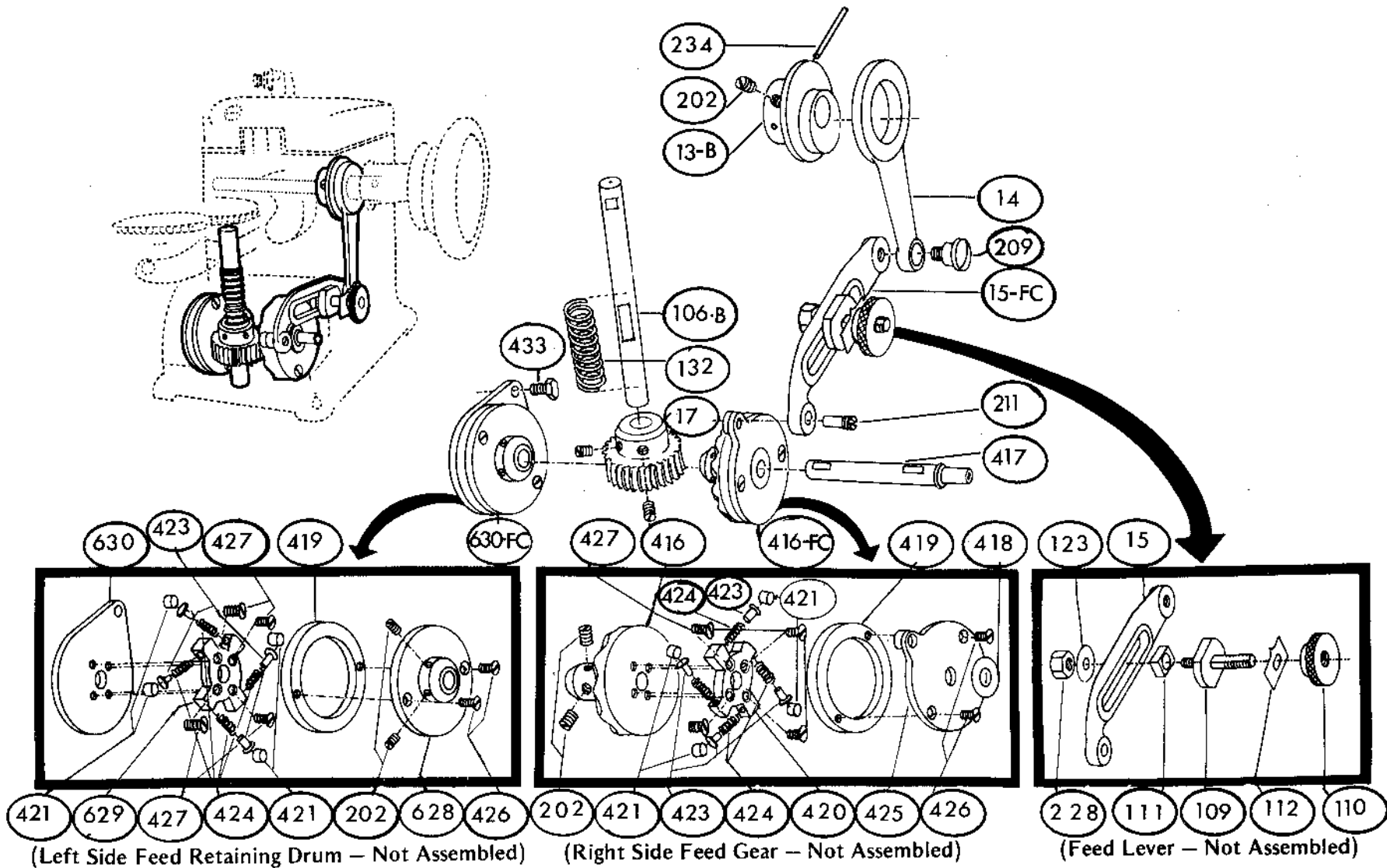
From the library of: Superior Sewing Machine & Supply LLC

NEEDLE BAR ASSEMBLY

Part No.	Description
7-B-51	Needle Bar Yoke Eccentric
113-T	Needle Bar
115-T	Needle Bar Tension Plate
119	Needle Clamp
134	Needle Bar Tension Spring
202	Yoke Eccentric Set Screw (2) Req'd
206	Needle Bar Yoke Adjustable Bracket Screws
215	Needle Bar Tension Plunger
216	Needle Bar Tension Plunger Nut
217	Needle Bar Tension Plate Screw
218	Needle Bar Yoke Pinch screws
227	Needle Clamp Screw
234	Yoke Eccentric Set Pin
466-51	Needle Bar Yoke (UNIT 466-51-FC)
467	Needle Bar Yoke Support Shaft
468	Needle Bar Yoke Support Shaft Lock Nut
469	Needle Bar Yoke Adjustable Bracket
617-B	Needle Bar Bushing
Needle Bonis System H and F-292	

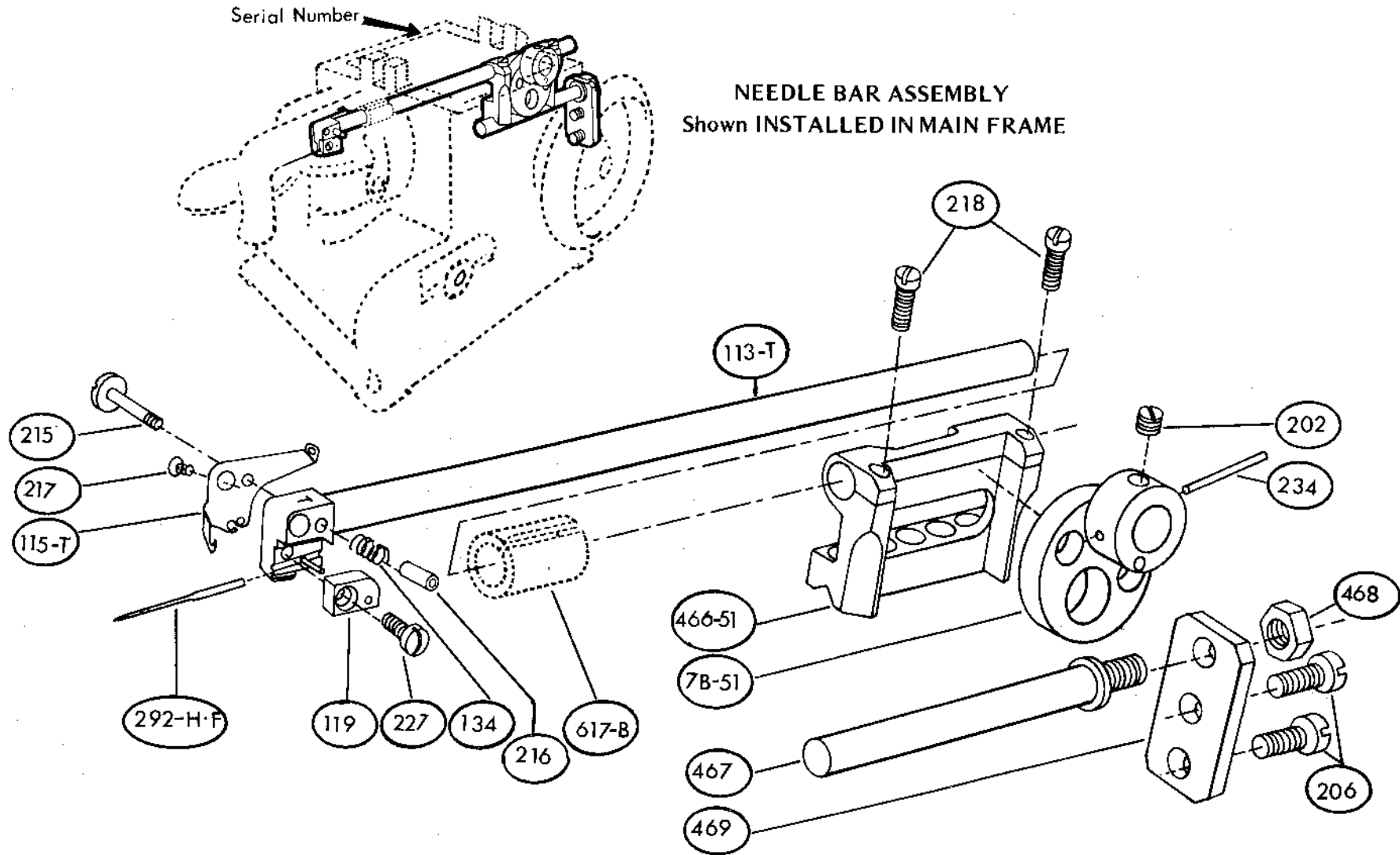
****FC** after Part Number Denotes "COMPLETE"**

From the library of: Superior Sewing Machine & Supply LLC



ILLUSTRATED IN SHADOW MACHINE—GEAR AND FEED
 ASSEMBLY INSTALLED IN MAIN FRAME—COMPLETE
 From the library of: Superior Sewing Machine & Supply LLC

CAUTION: When ordering parts, kindly state serial number and Model of Machine.
 Lift top cover. . . serial number is stamped on left rear corner of main
 frame. Model number is stamped on metal label attached on top cover.



NEEDLE BAR ASSEMBLY
 Shown INSTALLED IN MAIN FRAME